

Al Aziz Plastics
LIMITLESS INNOVATIONS



Product Catalogue – 2

Electrofusion Fittings for Gas Distribution



January 27, 2023

EF-2



Al Aziz Group has fiercely embraced *Limitless* for over 3 decades to revolutionize the fittings and accessory industry.

Our relentless innovations further our dreams, initiatives, and interests.



We started with a tall dream— to provide complete wiring solutions for every conceivable need spanning diverse domestic & industrial applications.

Our innovative designs and sheer commitment have earned us the leadership position in the Electrofusion Fittings for distribution of gas, Compression Fittings for water distribution and Solar Fittings; engineering and aesthetics blended in perfect harmony.



Our Brands





We are a leading manufacturing company in India engaged in innovation, production and distribution of world class products in India and abroad. Over the years we have created an enviable portfolio of patented products.

We conceive, design, engineer and manufacture the products with relentless precision and quality control. Our products pass stringent global tests and standards before being dispatched. We continuously invest in innovative manufacturing as well as testing tools and technologies that help us bring down the costs while substantially improving quality. Our products have been accredited by leading product certifying agencies like Exova, GL Group, Advantica, CIPET amongst others.





The entire range of electrofusion fittings tested as per EN 1555-3, EN 12201-3, ISO 8085, GIS PL2-4.

Central Institute of Plastics Engineering and Technology (CIPET) Tested and Approved Products

Product Conformity Certification by SGS, India

WRAS Approved for Drinking Water Applications

An ISO 9001:2015 Company Certified by





In the drive for Innovation through relentless perseverance and patience, we have found the balance for an economically viable, socially responsible and environmentally responsible alternatives of the future.



Our untiring efforts and deeper commitment to quality have been rewarded immensely.



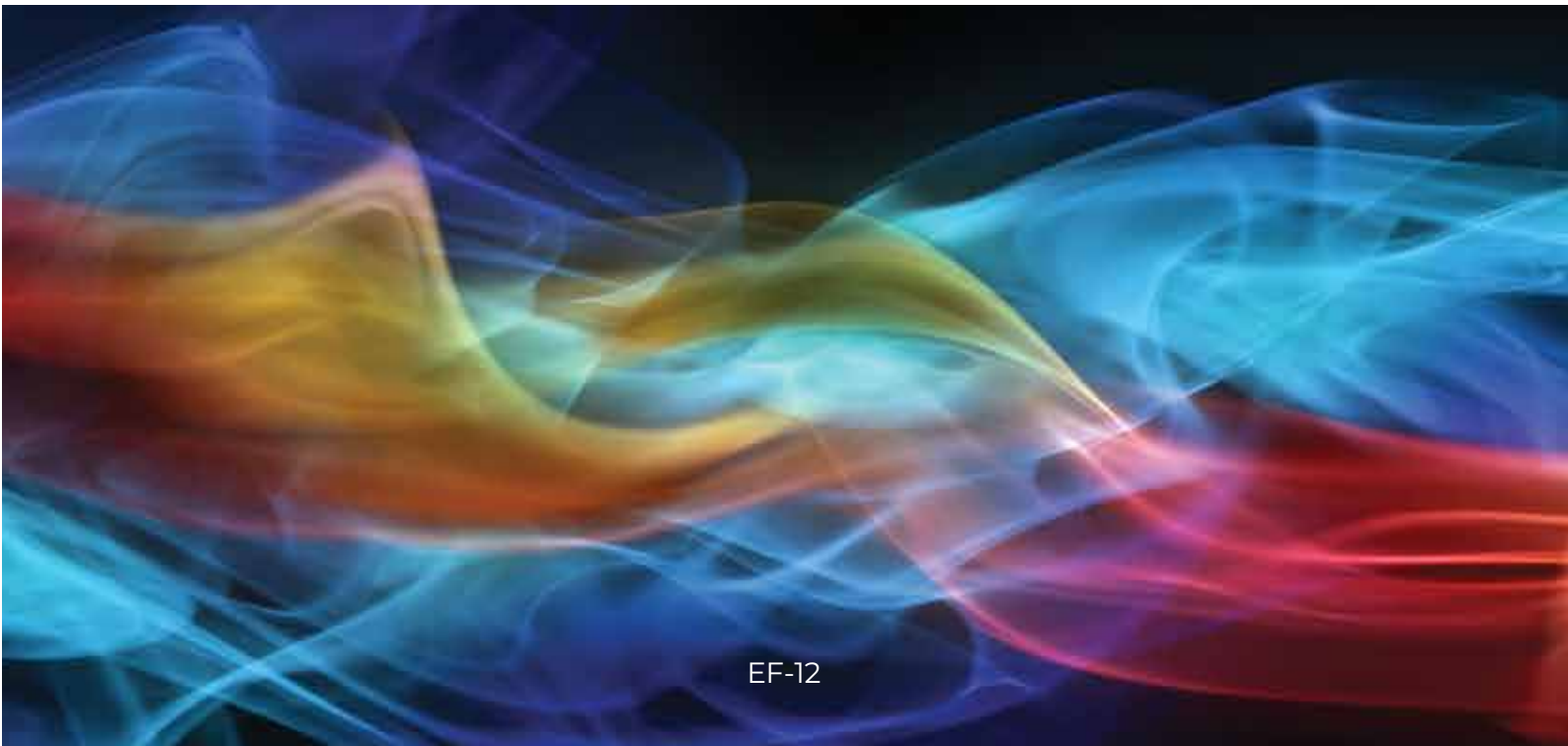




Gas Distribution

Electrofusion Fittings

**Ambitious
interests.**
Fluid
innovations.

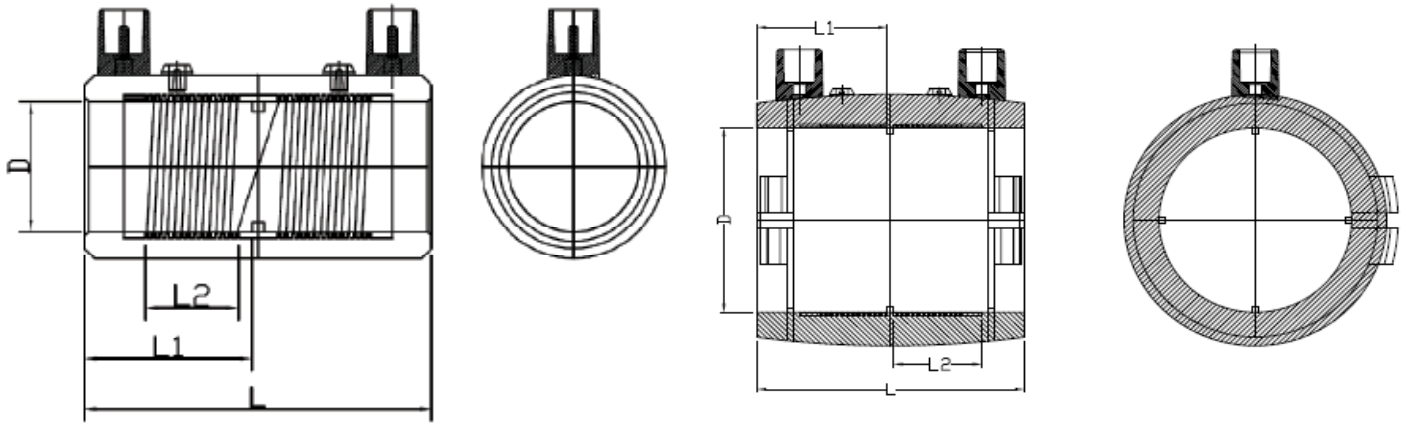


Couplers	EF - 15
Elbow 90 Degree	EF - 17
Elbow 45 Degree	EF - 19
End Cap	EF - 21
Equal Tee	EF - 23
Equal Tee - Kit	EF - 25
Reducer	EF - 26
Reducer Kits	EF - 28
Tapping Tee	EF - 32
Transition Coupler - IC	EF - 35
Transition Elbow	EF - 36
All Electro Fusion Equal Tees - IC	EF - 37
Stub End	EF - 38
Transition Coupler Fitting - Kit	EF - 40

Couplers

Standard: BS EN 12201-3:2011 / EN 1555-3 : 2021

Material : PE-100, Black Colour



Without IC

With IC

Dimensions (mm)

	Nominal Internal Diameter	Overall Length	Penetration Length	Fusion Length
Sizes	D	L	L1	L2

Pressure Rating: SDR11/PN16

20 mm	20.00 - 20.45	68.00 - 70.00	33.00 - 35.00	17.00 - 19.00
20 mm - IC	20.00 - 20.45	63.00 - 65.00	29.00 - 31.00	11.00 - 13.00
25 mm	25.00 - 25.45	68.00 - 70.00	32.00 - 34.00	13.00 - 15.00
32 mm - IC	32.00 - 32.55	69.00 - 71.00	31.00 - 33.00	14.00 - 16.00
40 mm	40.00 - 40.55	98.00 - 100.00	46.00 - 48.00	27.00 - 29.00
50 mm	50.00 - 50.60	108.00 - 110.00	52.00 - 54.00	26.00 - 28.00
50 mm- S	50.00 - 50.60	57.00 - 59.00	26.00 - 28.00	9.00 - 11.00
63 mm - IC	63.00 - 63.90	87.00 - 89.00	40.00 - 42.00	19.00 - 21.00
63 mm - S	63.00 - 63.90	62.00 - 64.00	29.00 - 31.00	12.00 - 14.00
75 mm	75.00 - 75.90	102.00 - 104.00	42.00 - 44.00	25.00 - 27.00

COUPLERS

Dimensions (mm)

	Nominal Internal Diameter	Overall Length	Penetration Length	Fusion Length
Sizes	D	L	L1	L2

Pressure Rating: SDR11/PN16

90 mm	90.00 - 90.90	114.00 - 116.0	50.00 - 52.00	25.00 - 27.00
110 mm	110.00 - 110.90	107.00 - 110.00	52.00 - 55.00	24.00 - 27.00
125 mm	125.00 - 126.00	142.00 - 145.00	63.00 - 66.00	30.00 - 33.00
140 mm	140.00 - 141.30	154.00 - 157.00	75.00 - 78.00	37.00 - 40.00
160 mm	160.00 - 161.50	167.00 - 170.00	82.00 - 85.00	34.00 - 37.00
180 mm	180.00 - 181.50	177.00 - 180.00	86.00 - 89.00	48.00 - 51.00
200 mm	200.00 - 201.80	186.00 - 189.00	92.00 - 95.00	49.00 - 52.00

Pressure Rating: SDR17/PN10

225 mm	225.00 - 227.10	206.00 - 210.00	101.00 - 105.00	56.00 - 60.00
250 mm	250.00 - 252.30	211.00 - 215.00	105.00 - 109.00	51.00 - 55.00
280 mm	280.00 - 282.60	219.00 - 224.00	111.00 - 115.00	56.00 - 60.00
315 mm	315.00 - 317.90	253.00 - 257.00	129.00 - 134.00	65.00 - 69.00

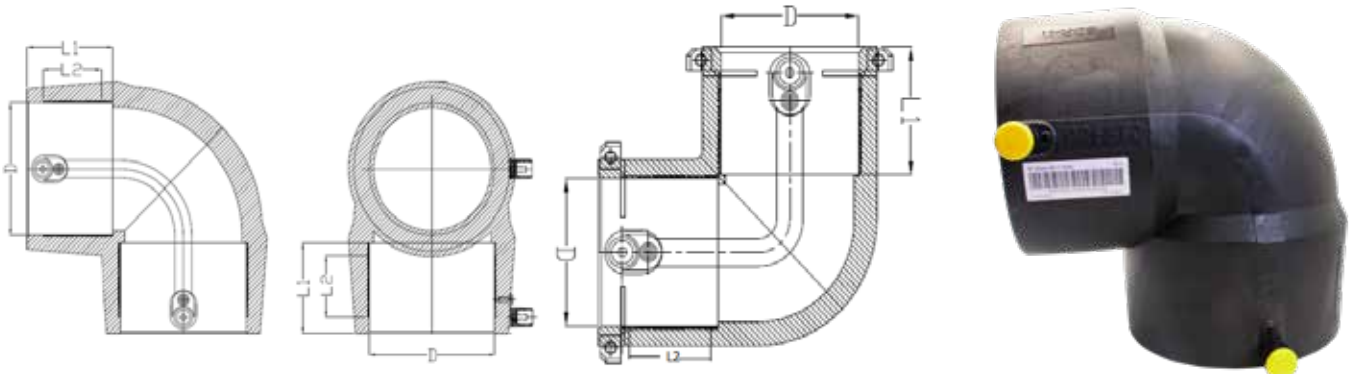


Elbow 90 Degree

Standard: BS EN 12201-3:2011 / EN 1555-3 : 2021

Material : PE-100, Black Colour

Pressure Rating: SDR11/PN16



Without IC

With IC

Dimensions (mm)

Sizes	Nominal Internal Diameter D	Penetration Length L1	Fusion Length L2
90 Deg. - 20 mm	20.00 - 20.45	31.00 - 33.00	15.00 - 17.00
90 Deg. - 25 mm	25.00 - 25.45	35.00 - 37.00	11.00 - 13.00
90 Deg. - 32 mm	32.00 - 32.55	35.00 - 37.00	14.00 - 16.00
90 Deg. - 40 mm	40.00 - 40.55	49.00 - 51.00	25.00 - 27.00
90 Deg. - 50 mm	50.00 - 50.60	52.00 - 54.00	27.00 - 29.00
90 Deg. - 63 mm	63.00 - 63.90	42.00 - 44.00	19.00 - 21.00
90 Deg. - 75 mm	75.00 - 75.90	46.00 - 48.00	25.00 - 27.00
90 Deg. - 90 mm	90.00 - 90.90	52.00 - 54.00	31.00 - 33.00
90 Deg. - 110mm	110.00 - 110.90	61.00 - 63.00	29.00 - 31.00
90 Deg. - 125 mm	125.00 - 126.00	81.00 - 83.00	44.00 - 46.00
90 Deg. - 160 mm	160.00 - 161.50	95.00 - 98.00	36.00 - 38.00
90 Deg. - 180 mm	180.00 - 181.50	86.00 - 89.00	48.00 - 51.00

ELBOW 90 DEGREE

Dimensions (mm)

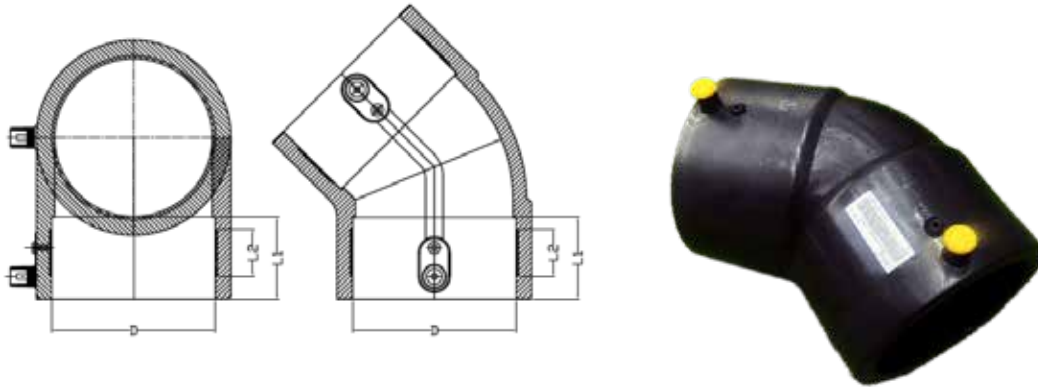
	Nominal Internal Diameter	Penetration Length	Fusion Length
Sizes	D	L1	L2
90 Deg. - 200 mm	200.00 - 201.80	92.00 - 95.00	49.00 - 52.00
90 Deg. - 225 mm	225.00 - 227.10	101.00 - 105.00	56.00 - 60.00
90 Deg. - 250 mm	250.00 - 252.30	105.00 - 109.00	51.00 - 55.00
90 Deg. - 280 mm	280.00 - 282.60	111.00 - 115.00	56.00 - 60.00
90 Deg. - 315 mm	315.00 - 317.90	129.00 - 134.00	65.00 - 69.00

Elbow 45 Degree

Standard: BS EN 12201-3:2011 / EN 1555-3 : 2021

Material : PE-100, Black Colour

Pressure Rating: SDR11/PN16



Dimensions (mm)

Sizes	Nominal Internal Diameter D	Penetration Length L1	Fusion Length L2
45 Deg. - 20 mm	20.00 - 20.45	31.00 - 33.00	15.00 - 17.00
45 Deg. - 25 mm	25.00 - 25.45	35.00 - 37.00	11.00 - 13.00
45 Deg. - 32 mm	32.00 - 32.55	35.00 - 37.00	14.00 - 16.00
45 Deg. - 40 mm	40.00 - 40.55	49.00 - 51.00	25.00 - 27.00
45 Deg. - 50 mm	50.00 - 50.60	52.00 - 54.00	27.00 - 29.00
45 Deg. - 63 mm	63.00 - 63.90	42.00 - 44.00	19.00 - 21.00
45 Deg. - 75 mm	75.00 - 75.90	46.00 - 48.00	25.00 - 27.00
45 Deg. - 90 mm	90.00 - 90.90	52.00 - 54.00	31.00 - 33.00
45 Deg. - 110mm	110.00 - 110.90	61.00 - 63.00	29.00 - 31.00
45 Deg. - 125 mm	125.00 - 126.00	86.00 - 89.00	44.00 - 46.00
45 Deg. - 160 mm	160.00 - 161.50	95.00 - 98.00	36.00 - 38.00
45 Deg. - 180 mm	180.00 - 181.50	86.00 - 89.00	48.00 - 51.00

ELBOW 45 DEGREE

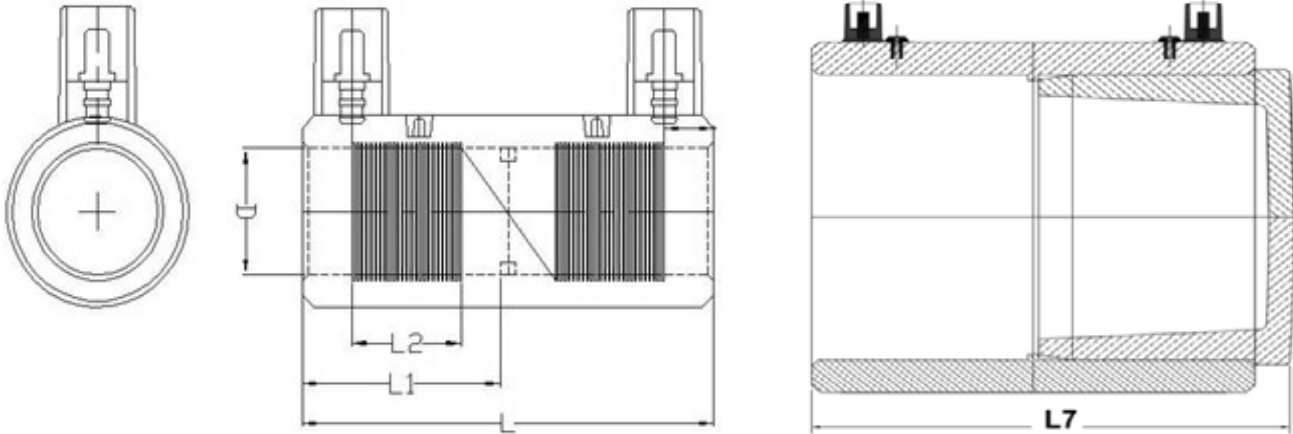
Dimensions (mm)

	Nominal Internal Diameter	Penetration Length	Fusion Length
Sizes	D	L1	L2
45 Deg. - 200 mm	200.00 - 201.80	92.00 - 95.00	49.00 - 52.00
45 Deg. - 225 mm	225.00 - 227.10	101.00 - 105.00	56.00 - 60.00
45 Deg. - 250 mm	250.00 - 252.30	105.00 - 109.00	51.00 - 55.00
45 Deg. - 280 mm	280.00 - 282.60	111.00 - 115.00	56.00 - 60.00
45 Deg. - 315 mm	315.00 - 317.90	129.00 - 134.00	65.00 - 69.00

End Cap

Standard: BS EN 12201-3:2011 / EN 1555-3 : 2021

Material : PE-100,SDR 11, Black Colour



Without IC

With IC

Dimensions (mm)

	Nominal Internal Diameter	Length	Penetration Length	Fusion Length	Over all Length
Sizes	D	L	L1	L2	L7

Pressure Rating: SDR11/PN16

20 mm	20.00 - 20.45	68.00 - 70.00	33.00 - 35.00	17.00 - 19.00	84.00 - 88.00
25 mm	25.00 - 25.45	68.00 - 70.00	32.00 - 34.00	13.00 - 15.00	84.00 - 88.00
32 mm	32.00 - 32.55	69.00 - 71.00	31.00 - 33.00	14.00 - 16.00	83.00 - 87.00
40 mm	40.00 - 40.55	98.00 - 100.00	46.00 - 48.00	27.00 - 29.00	112.00 - 116.00
50 mm	50.00 - 50.60	108.00 - 110.00	52.00 - 54.00	26.00 - 28.00	120.00 - 124.00
63 mm	63.00 - 63.90	87.00 - 89.00	40.00 - 42.00	19.00 - 21.00	100.00 - 104.00
75 mm	75.00 - 75.90	102.00 - 104.00	42.00 - 44.00	25.00 - 27.00	107.00 - 111.00

END CAP

Dimensions (mm)

	Nominal Internal Diameter	Length	Penetration Length	Fusion Length	Over all Length
Sizes	D	L	L1	L2	L7

Pressure Rating: SDR11/PN16

90 mm	90.00 - 90.90	114.00 - 116.00	50.00 - 52.00	25.00 - 27.00	119.00 - 123.00
110mm	110.00 - 110.90	107.00 - 110.00	52.00 - 55.00	24.00 - 27.00	123.00 - 127.00
125 mm	125.00 - 126.00	142.00 - 145.00	63.00 - 66.00	30.00 - 33.00	141.00 - 145.00
140 mm	140.00 - 141.30	154.00 - 157.00	75.00 - 78.00	37.00 - 40.00	171.00 - 175.00
160 mm	160.00 - 161.50	167.00 - 170.00	82.00 - 85.00	34.00 - 37.00	182.00 - 186.00
180 mm	180.00 - 181.50	177.00 - 180.00	86.00 - 89.00	48.00 - 51.00	199.00 - 203.00
200 mm	200.00 - 201.80	186.00 - 189.00	92.00 - 95.00	49.00 - 52.00	201.00 - 205.00

Pressure Rating: SDR17/PN10

225 mm	225.00 - 227.10	206.00 - 210.00	101.00 - 105.00	56.00 - 60.00	236.00 - 242.00
250 mm	250.00 - 252.30	211.00 - 215.00	105.00 - 109.00	51.00 - 55.00	242.00 - 248.00
280 mm	280.00 - 282.60	219.00 - 224.00	111.00 - 115.00	56.00 - 60.00	252.00 - 259.00
315 mm	315.00 - 317.90	253.00 - 257.00	129.00 - 134.00	65.00 - 69.00	314.00 - 320.00

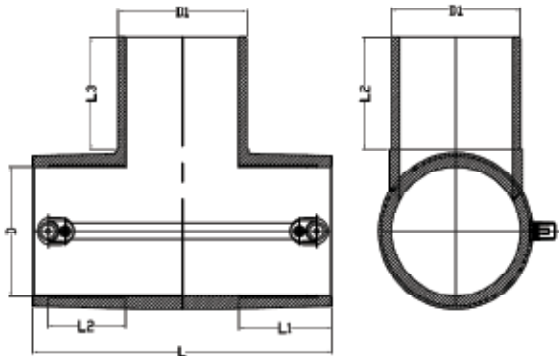


Equal Tee

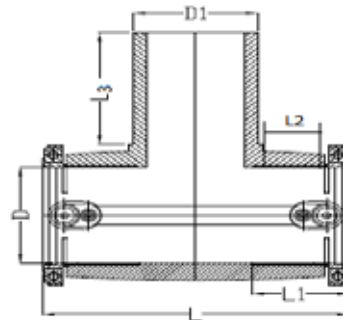
Standard: BS EN 12201-3:2011 / EN 1555-3 : 2021

Material : PE-100, Black Colour

Pressure Rating: SDR11/PN16



Without IC



With IC

Dimensions (mm)

Sizes	Nominal Internal Diameter		Overall Length	Penetration Length	Fusion Length	Spigot Length
	D	D1	L	L1	L2	L3
20 mm	20.00 - 20.45	20.00 - 20.40	99.00 - 101.00	40.00 - 42.00	21.00 - 23.00	43.00 - 45.00
25 mm	25.00 - 25.50	25.00 - 25.45	92.00 - 94.00	33.00 - 35.00	15.00 - 17.00	44.00 - 46.00
32 mm - IC	32.00 - 32.55	32.00 - 32.50	116.00 - 118.00	43.00 - 45.00	18.00 - 20.00	67.00 - 68.00
40 mm	40.00 - 40.55	40.00 - 40.50	137.00 - 139.00	46.00 - 48.00	16.00 - 18.00	50.00 - 52.00
50 mm	50.00 - 50.60	50.00 - 50.50	152.00 - 154.00	51.00 - 53.00	28.00 - 30.00	54.00 - 56.00
63 mm - IC	63.00 - 63.90	63.00 - 63.70	152.00 - 154.00	44.00 - 46.00	26.00 - 28.00	73.00 - 75.00
75 mm	75.00 - 75.90	75.00 - 75.80	185.00 - 187.00	60.00 - 62.00	30.00 - 32.00	69.00 - 71.00

EQUAL TEE

Dimensions (mm)

Sizes	Nominal Internal Diameter		Overall Length	Penetration Length	Fusion Length	Spigot Length
	D	D1	L	L1	L2	L3
90 mm	90.00 - 90.90	90.00 - 90.80	207.00 - 209.00	65.00 - 67.00	39.00 - 41.00	86.00 - 88.00
110 mm	110.00 - 110.90	110.00 - 110.80	251.00 - 254.00	81.00 - 84.00	38.00 - 42.00	81.00 - 83.00
125 mm	125.00 - 125.90	125.00 - 125.80	275.00 - 278.00	84.00 - 87.00	44.00 - 47.00	86.00 - 89.00
140 mm	140.00 - 140.90	140.00 - 140.70	271.00 - 274.00	81.00 - 84.00	35.00 - 38.00	91.00 - 94.00
160 mm	160.00 - 161.50	160.00 - 160.80	310.00 - 314.00	86.00 - 90.00	41.00 - 43.00	97.00 - 100.00
180 mm	180.00 - 181.50	180.00 - 181.50	342.00 - 345.00	86.00 - 89.00	48.00 - 51.00	109.00 - 111.00

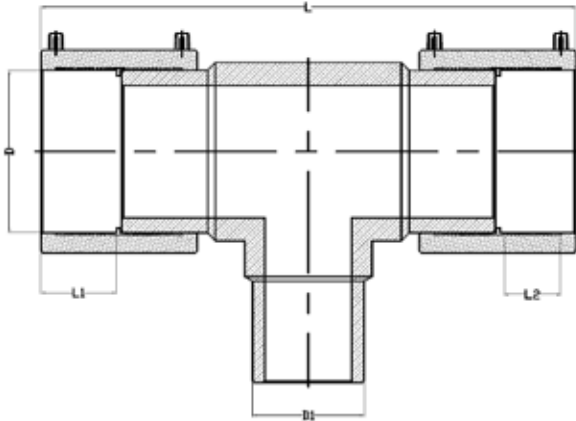


Equal Tee - Kit

Standard: BS EN 12201-3:2011 / EN 1555-3 : 2021

Material : PE-100, Black Colour

Pressure Rating: SDR11/PN16



Dimensions (mm)

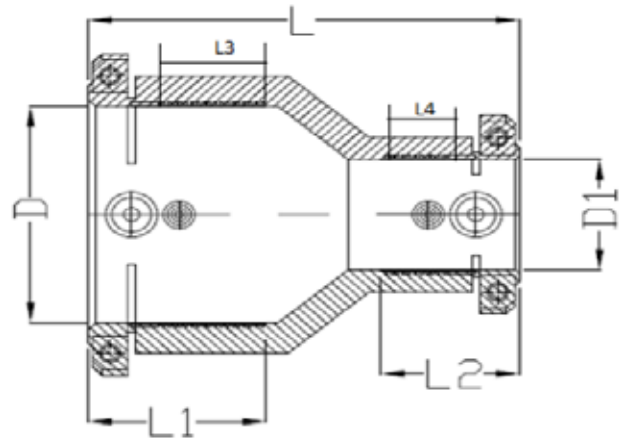
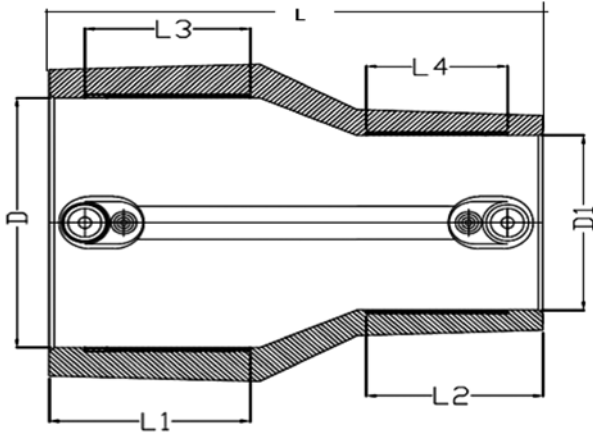
Size	Nominal Internal Diameter		Overall Length, Coupler	Penetration Length	Fusion Length
	D	DI	L	L1	L2
200 mm	200.00 - 201.80	200.00 - 201.50	645.00 - 660.00	92.00 - 95.00	49.00 - 52.00
225 mm	225.00 - 227.10	225.00 - 226.50	740.00 - 760.00	101.00 - 105.00	56.00 - 60.00
250 mm	250.00 - 252.30	250.00 - 251.50	780.00 - 797.00	105.00 - 109.00	51.00 - 55.00
280 mm	280.00 - 282.60	280.00 - 281.50	825.00 - 850.00	111.00 - 115.00	56.00 - 60.00
315 mm	315.00 - 317.90	315.00 - 316.50	900.00 - 945.00	129.00 - 134.00	65.00 - 69.00

Reducer

Standard: BS EN 12201-3:2011 / EN 1555-3 : 2021

Material : PE-100, Black Colour

Pressure Rating: SDR11/PN16



Without IC

With IC

Dimensions (mm)

Sizes	Nominal Internal Diameter		Overall Length	Penetration Length		Fusion Length	
	D	D1		L1	L2	L3	L4
25x20 mm	25.00 - 25.45	20.00 - 20.45	75.00 - 78.00	34.00 - 38.00	30.00 - 33.00	13.00 - 15.00	13.00 - 15.00
32x20 mm	32.00 - 32.55	20.00 - 20.45	81.00 - 84.00	41.00 - 44.00	30.00 - 33.00	16.00 - 18.00	16.00 - 18.00
32x25 mm	32.00 - 32.55	25.00 - 25.45	80.00 - 82.00	38.00 - 40.00	32.00 - 34.00	16.00 - 18.00	13.00 - 15.00
40x32 mm	40.00 - 40.55	32.00 - 32.55	102.00 - 105.00	46.00 - 49.00	39.00 - 42.00	22.00 - 25.00	17.00 - 21.00
50x32 mm	50.00 - 50.60	32.00 - 32.55	110.00 - 113.00	53.00 - 56.00	39.00 - 42.00	29.00 - 32.00	19.00 - 22.00
50x40 mm	50.00 - 50.60	40.00 - 40.55	110.00 - 112.00	52.00 - 54.00	38.00 - 40.00	28.00 - 31.00	18.00 - 21.00

Dimensions (mm)

Sizes	Nominal Internal Diameter		Overall Length	Penetration Length		Fusion Length	
	D	D1		L1	L2	L3	L4
63x32 mm - IC	63.00 - 63.90	32.00 - 32.55	108.00 - 111.00	46.00 - 49.00	40.00 - 43.00	21.00 - 23.00	15.00 - 17.00
75x63 mm	75.00 - 75.90	63.00 - 63.90	133.00 - 136.00	58.00 - 61.00	54.00 - 57.00	29.00 - 31.00	25.00 - 27.00
90x63 mm	90.00 - 90.90	63.00 - 63.90	151.00 - 154.00	65.00 - 68.00	50.00 - 53.00	37.00 - 39.00	29.00 - 31.00
90x75 mm	90.00 - 90.90	75.00 - 75.90	139.00 - 142.00	62.00 - 65.00	49.00 - 52.00	37.00 - 39.00	29.00 - 31.00
110x90 mm	110.00 - 110.90	90.00 - 90.90	164.00 - 167.00	73.00 - 76.00	57.00 - 60.00	41.00 - 43.00	31.00 - 33.00
125x63 mm	125.00 - 125.90	63.00 - 63.90	280.00 - 285.00	63.00 - 66.00	41.00 - 44.00	31.00 - 33.00	19.00 - 21.00
125x90 mm	125.00 - 125.90	90.00 - 90.90	182.00 - 185.00	77.00 - 80.00	52.00 - 55.00	34.00 - 36.00	25.00 - 27.00

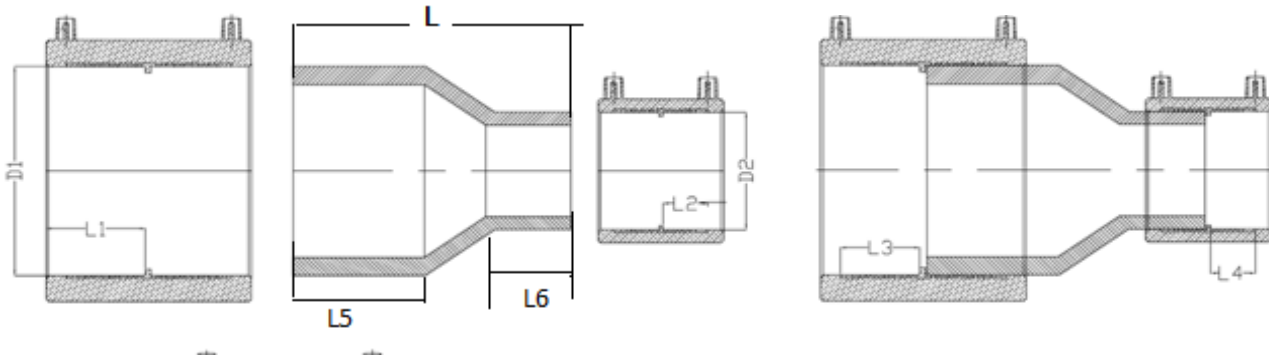


Reducer Kits

Standard: BS EN 12201-3:2011 / EN 1555-3 : 2021

Material : PE-100, Black Colour

Pressure Rating: SDR17/PN10



Dimensions (mm)

Size	D1	D2	L	L1	L2	L3	L4	L5	L6
125 x75 mm	125.00 - 126.00	75.00 - 75.90	186.00 - 190.00	63.00 - 66.00	42.00 - 44.00	30.00 - 33.00	25.00 - 27.00	86.00 - 90.00	66.00 - 70.00
125 x110 mm	125.00 - 126.00	110.00 - 110.90	186.00 - 190.00	63.00 - 66.00	52.00 - 55.00	30.00 - 33.00	24.00 - 27.00	86.00 - 90.00	82.00 - 86.00
140x75 mm	140.00 - 141.30	75.00 - 75.90	196.00 - 200.00	75.00 - 78.00	42.00 - 44.00	37.00 - 40.00	25.00 - 27.00	86.00 - 90.00	66.00 - 70.00
140x90 mm	140.00 - 141.30	90.00 - 90.90	196.00 - 200.00	75.00 - 78.00	50.00 - 52.00	37.00 - 40.00	25.00 - 27.00	86.00 - 90.00	66.00 - 70.00
140x110 mm	140.00 - 141.30	110.00 - 110.90	176.00 - 180.00	75.00 - 78.00	52.00 - 55.00	37.00 - 40.00	24.00 - 27.00	83.00 - 87.00	76.00 - 80.00
140x125 mm	140.00 - 141.30	125.00 - 126.00	186.00 - 190.00	75.00 - 78.00	63.00 - 66.00	37.00 - 40.00	30.00 - 33.00	86.00 - 90.00	86.00 - 90.00
160x75 mm	160.00 - 161.50	75.00 - 75.90	231.00 - 235.00	82.00 - 85.00	42.00 - 44.00	34.00 - 37.00	25.00 - 27.00	101.00 - 105.00	66.00 - 70.00
160x90 mm	160.00 - 161.50	90.00 - 90.90	231.00 - 235.00	82.00 - 85.00	50.00 - 52.00	34.00 - 37.00	25.00 - 27.00	101.00 - 105.00	66.00 - 70.00

Dimensions (mm)

Size	D1	D2	L	L1	L2	L3	L4	L5	L6
160x110 mm	160.00 - 161.50	110.00 - 110.90	231.00 - 235.00	82.00 - 85.00	52.00 - 55.00	34.00 - 37.00	24.00 - 27.00	101.00 - 105.00	82.00 - 86.00
160x125 mm	160.00 - 161.50	125.00 - 126.00	226.00 - 230.00	82.00 - 85.00	63.00 - 66.00	34.00 - 37.00	30.00 - 33.00	101.00 - 105.00	84.00 - 90.00
160x140 mm	160.00 - 161.50	140.00 - 141.30	206.00 - 210.00	82.00 - 85.00	75.00 - 78.00	34.00 - 37.00	37.00 - 40.00	101.00 - 105.00	84.00 - 90.00
180x90 mm	180.00 - 181.50	90.00 - 90.90	243.00 - 247.00	86.00 - 89.00	50.00 - 52.00	48.00 - 51.00	25.00 - 27.00	101.00 - 105.00	66.00 - 70.00
180x110 mm	180.00 - 181.50	110.00 - 110.90	243.00 - 247.00	86.00 - 89.00	52.00 - 55.00	48.00 - 51.00	24.00 - 27.00	101.00 - 105.00	82.00 - 86.00
180x125 mm	180.00 - 181.50	125.00 - 126.00	243.00 - 247.00	86.00 - 89.00	63.00 - 66.00	48.00 - 51.00	30.00 - 33.00	101.00 - 105.00	86.00 - 90.00
180x140 mm	180.00 - 181.50	140.00 - 141.30	243.00 - 247.00	86.00 - 89.00	75.00 - 78.00	48.00 - 51.00	37.00 - 40.00	101.00 - 105.00	86.00 - 90.00
180x160 mm	180.00 - 181.50	160.00 - 161.50	243.00 - 247.00	86.00 - 89.00	82.00 - 85.00	48.00 - 51.00	34.00 - 37.00	101.00 - 105.00	98.00 - 102.00
200x90 mm	200.00 - 201.80	90.00 - 90.90	261.00 - 265.00	92.00 - 95.00	50.00 - 52.00	49.00 - 52.00	25.00 - 27.00	106.00 - 110.00	66.00 - 70.00
200x110 mm	200.00 - 201.80	110.00 - 110.90	251.00 - 255.00	92.00 - 95.00	52.00 - 55.00	49.00 - 52.00	24.00 - 27.00	106.00 - 110.00	82.00 - 86.00
200x125 mm	200.00 - 201.80	125.00 - 126.00	261.00 - 265.00	92.00 - 95.00	63.00 - 66.00	49.00 - 52.00	30.00 - 33.00	106.00 - 110.00	86.00 - 90.00
200x140 mm	200.00 - 201.80	140.00 - 141.30	256.00 - 260.00	92.00 - 95.00	75.00 - 78.00	49.00 - 52.00	37.00 - 40.00	106.00 - 110.00	86.00 - 90.00
200x160 mm	200.00 - 201.80	160.00 - 161.50	261.00 - 265.00	92.00 - 95.00	82.00 - 85.00	49.00 - 52.00	34.00 - 37.00	106.00 - 110.00	100.00 - 104.00
200x180 mm	200.00 - 201.80	180.00 - 181.50	261.00 - 265.00	92.00 - 95.00	86.00 - 89.00	49.00 - 52.00	48.00 - 51.00	106.00 - 110.00	101.00 - 105.00
225x90 mm	225.00 - 227.10	90.00 - 90.90	261.00 - 265.00	101.00 - 105.00	50.00 - 52.00	56.00 - 60.00	25.00 - 27.00	114.00 - 118.00	66.00 - 70.00
225x110 mm	225.00 - 227.10	110.00 - 110.90	261.00 - 265.00	101.00 - 105.00	52.00 - 55.00	56.00 - 60.00	24.00 - 27.00	114.00 - 118.00	82.00 - 86.00

REDUCER KITS

Dimensions (mm)

Size	D1	D2	L	L1	L2	L3	L4	L5	L6
225x125 mm	225.00 - 227.10	125.00 - 126.00	261.00 - 265.00	101.00 - 105.00	63.00 - 66.00	56.00 - 60.00	30.00 - 33.00	114.00 - 118.00	86.00 - 90.00
225x140 mm	225.00 - 227.10	140.00 - 141.30	261.00 - 265.00	101.00 - 105.00	75.00 - 78.00	56.00 - 60.00	37.00 - 40.00	114.00 - 118.00	86.00 - 90.00
225x160 mm	225.00 - 227.10	160.00 - 161.50	261.00 - 265.00	101.00 - 105.00	82.00 - 85.00	56.00 - 60.00	34.00 - 37.00	114.00 - 118.00	101.00 - 105.00
225x180 mm	225.00 - 227.10	180.00 - 181.50	261.00 - 265.00	101.00 - 105.00	86.00 - 89.00	56.00 - 60.00	48.00 - 51.00	114.00 - 118.00	101.00 - 105.00
225x200 mm	225.00 - 227.10	200.00 - 201.80	261.00 - 265.00	101.00 - 105.00	92.00 - 95.00	56.00 - 60.00	49.00 - 52.00	114.00 - 118.00	108.00 - 112.00
250x110 mm	250.00 - 252.30	110.00 - 110.90	290.00 - 294.00	105.00 - 109.00	52.00 - 55.00	51.00 - 55.00	24.00 - 27.00	126.00 - 130.00	82.00 - 86.00
250x125 mm	250.00 - 252.30	125.00 - 126.00	296.00 - 300.00	105.00 - 109.00	63.00 - 66.00	51.00 - 55.00	30.00 - 33.00	126.00 - 130.00	86.00 - 90.00
250x140 mm	250.00 - 252.30	140.00 - 141.30	296.00 - 300.00	105.00 - 109.00	75.00 - 78.00	51.00 - 55.00	37.00 - 40.00	126.00 - 130.00	86.00 - 90.00
250x160 mm	250.00 - 252.30	160.00 - 161.50	286.00 - 290.00	105.00 - 109.00	82.00 - 85.00	51.00 - 55.00	34.00 - 37.00	126.00 - 130.00	98.00 - 102.00
250x180 mm	250.00 - 252.30	180.00 - 181.50	296.00 - 300.00	105.00 - 109.00	86.00 - 89.00	51.00 - 55.00	48.00 - 51.00	126.00 - 130.00	101.00 - 105.00
250x200 mm	250.00 - 252.30	200.00 - 201.80	296.00 - 300.00	105.00 - 109.00	92.00 - 95.00	51.00 - 55.00	49.00 - 52.00	126.00 - 130.00	108.00 - 113.00
250x225 mm	250.00 - 252.30	225.00 - 227.10	296.00 - 300.00	105.00 - 109.00	101.00 - 105.00	51.00 - 55.00	56.00 - 60.00	125.00 - 131.00	113.00 - 119.00
280x110 mm	280.00 - 282.60	110.00 - 110.90	319.00 - 325.00	111.00 - 115.00	52.00 - 55.00	56.00 - 60.00	24.00 - 27.00	129.00 - 135.00	85.00 - 91.00
280x125 mm	280.00 - 282.60	125.00 - 126.00	319.00 - 325.00	111.00 - 115.00	63.00 - 66.00	56.00 - 60.00	30.00 - 33.00	129.00 - 135.00	85.00 - 91.00
280x140 mm	280.00 - 282.60	140.00 - 141.30	319.00 - 325.00	111.00 - 115.00	75.00 - 78.00	56.00 - 60.00	37.00 - 40.00	129.00 - 135.00	85.00 - 91.00
280x160 mm	280.00 - 282.60	160.00 - 161.50	319.00 - 325.00	111.00 - 115.00	82.00 - 85.00	56.00 - 60.00	34.00 - 37.00	129.00 - 135.00	97.00 - 103.00

Dimensions (mm)

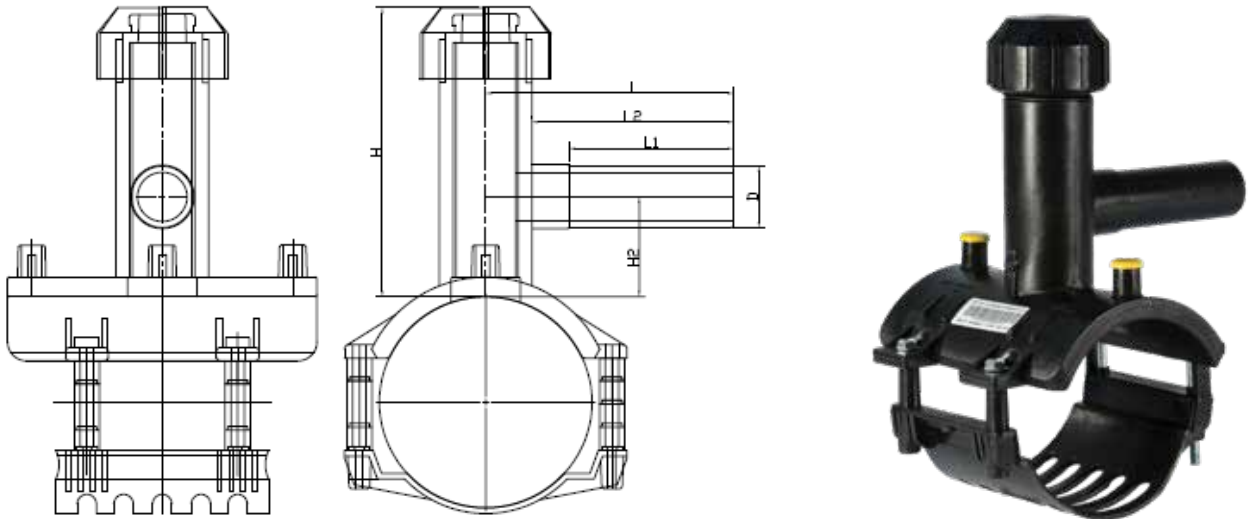
Size	D1	D2	L	L1	L2	L3	L4	L5	L6
280x180 mm	280.00 - 282.60	180.00 - 181.50	319.00 - 325.00	111.00 - 115.00	86.00 - 89.00	56.00 - 60.00	48.00 - 51.00	129.00 - 135.00	100.00 - 106.00
280x200 mm	280.00 - 282.60	200.00 - 201.80	295.00 - 301.00	111.00 - 115.00	92.00 - 95.00	56.00 - 60.00	49.00 - 52.00	129.00 - 135.00	105.00 - 111.00
280x225 mm	280.00 - 282.60	225.00 - 227.10	295.00 - 301.00	111.00 - 115.00	101.00 - 105.00	56.00 - 60.00	56.00 - 60.00	129.00 - 135.00	113.00 - 119.00
280x250 mm	280.00 - 282.60	250.00 - 252.30	295.00 - 301.00	111.00 - 115.00	105.00 - 109.00	56.00 - 60.00	51.00 - 55.00	129.00 - 135.00	125.00 - 131.00
315x110 mm	315.00 - 317.90	110.00 - 110.90	360.00 - 366.00	129.00 - 134.00	52.00 - 55.00	65.00 -69.00	24.00 - 27.00	145.00 - 151.00	83.00 - 89.00
315x140 mm	315.00 - 317.90	140.00 - 141.30	360.00 - 366.00	129.00 - 134.00	75.00 - 78.00	65.00 -69.00	37.00 - 40.00	145.00 - 151.00	85.00 - 91.00
315x160 mm	315.00 - 317.90	160.00 - 161.50	360.00 - 366.00	129.00 - 134.00	82.00 - 85.00	65.00 -69.00	34.00 - 37.00	145.00 - 151.00	97.00 - 103.00
315x180 mm	315.00 - 317.90	180.00 - 181.50	360.00 - 366.00	129.00 - 134.00	86.00 - 89.00	65.00 -69.00	48.00 - 51.00	145.00 - 151.00	100.00 - 106.00
315x200 mm	315.00 - 317.90	200.00 - 201.80	360.00 - 366.00	129.00 - 134.00	92.00 - 95.00	65.00 -69.00	49.00 - 52.00	145.00 - 151.00	105.00 - 111.00
315x225 mm	315.00 - 317.90	225.00 - 227.10	360.00 - 366.00	129.00 - 134.00	101.00 - 105.00	65.00 -69.00	56.00 - 60.00	145.00 - 151.00	113.00 - 119.00
315x250 mm	315.00 - 317.90	250.00 - 252.30	360.00 - 366.00	129.00 - 134.00	105.00 - 109.00	65.00 -69.00	51.00 - 55.00	145.00 - 151.00	125.00 - 131.00
315x280 mm	315.00 - 317.90	280.00 - 282.60	360.00 - 366.00	129.00 - 134.00	111.00 - 115.00	65.00 -69.00	56.00 - 60.00	145.00 - 151.00	129.00 - 135.00

Tapping Tee

Standard: BS EN 12201-3:2011 / EN 1555-3 : 2021

Material : PE-100, Black Colour

Pressure Rating: SDR11/PN16



Dimensions (mm)

Sizes	H	H2	L	L1	L2	D
32x20 mm	67.00 - 71.00	13.00 - 17.00	85.00 - 88.00	57.00 - 60.00	70.00 - 73.00	20.00 - 20.50
63x20 mm	108.00 - 112.00	15.00 - 19.00	111.00 - 115.00	71.00 - 74.00	87.00 - 90.00	20.00 - 20.50
63x25 mm	110.00 - 114.00	18.00 - 22.00	124.00 - 127.00	71.00 - 73.00	99.00 - 102.00	25.00 - 25.50
63x32 mm	110.00 - 114.00	15.00 - 19.00	124.00 - 127.00	71.00 - 73.00	101.00 - 103.00	32.00 - 32.50
75x20 mm	150.00 - 154.00	49.00 - 53.00	126.00 - 129.00	82.00 - 85.00	101.00 - 103.00	20.00 - 20.50
75x25 mm	152.00 - 156.00	49.00 - 53.00	125.00 - 129.00	82.00 - 85.00	101.00 - 103.00	25.00 - 25.50
75x32 mm	151.00 - 155.00	48.00 - 52.00	125.00 - 129.00	82.00 - 85.00	102.00 - 105.00	32.00 - 32.50

Dimensions (mm)

Sizes	H	H2	L	L1	L2	D
90x20 mm	153.00 - 157.00	48.00 - 52.00	126.00 - 130.00	83.00 - 86.00	102.00 - 105.00	20.00 - 20.50
90x25 mm	151.00 - 155.00	48.00 - 52.00	126.00 - 130.00	83.00 - 86.00	102.00 - 105.00	25.00 - 25.50
90x32 mm	152.00 - 156.00	48.00 - 52.00	126.00 - 130.00	83.00 - 86.00	102.00 - 105.00	32.00 - 32.50
110x20 mm	153.00 - 157.00	49.00 - 53.00	126.00 - 130.00	83.00 - 86.00	102.00 - 105.00	20.00 - 20.50
110x25 mm	152.00 - 156.00	51.00 - 55.00	126.00 - 130.00	82.00 - 85.00	101.00 - 104.00	25.00 - 25.50
110x32 mm	152.00 - 156.00	51.00 - 55.00	127.00 - 131.00	83.00 - 86.00	103.00 - 106.00	32.00 - 32.50
125x20 mm	154.00 - 158.00	52.00 - 56.00	126.00 - 130.00	81.00 - 84.00	100.00 - 103.00	20.00 - 20.50
125x25 mm	154.00 - 158.00	52.00 - 56.00	126.00 - 130.00	83.00 - 86.00	101.00 - 104.00	25.00 - 25.50
125x32 mm	155.00 - 159.00	53.00 - 57.00	124.00 - 128.00	81.00 - 84.00	100.00 - 103.00	32.00 - 32.50
125x63 mm	216.00 - 221.00	77.00 - 82.00	130.00 - 135.00	85.00 - 89.00	93.00 - 96.00	63.00 - 63.50
140x20 mm	149.00 - 153.00	48.00 - 52.00	126.00 - 130.00	83.00 - 86.00	101.00 - 104.00	20.00 - 20.50
140x25 mm	149.00 - 153.00	46.00 - 50.00	126.00 - 130.00	83.00 - 86.00	101.00 - 104.00	25.00 - 25.50
140x32 mm	150.00 - 154.00	46.00 - 50.00	126.00 - 130.00	82.00 - 85.00	101.00 - 104.00	32.00 - 32.50
160x20 mm	149.00 - 153.00	48.00 - 52.00	127.00 - 131.00	84.00 - 87.00	102.00 - 105.00	20.00 - 20.50
160x25 mm	149.00 - 153.00	49.00 - 53.00	126.00 - 130.00	82.00 - 85.00	101.00 - 104.00	25.00 - 25.50
160x32 mm	149.00 - 153.00	47.00 - 51.00	125.00 - 129.00	82.00 - 85.00	100.00 - 103.00	32.00 - 32.50

TAPPING TEE

Dimensions (mm)

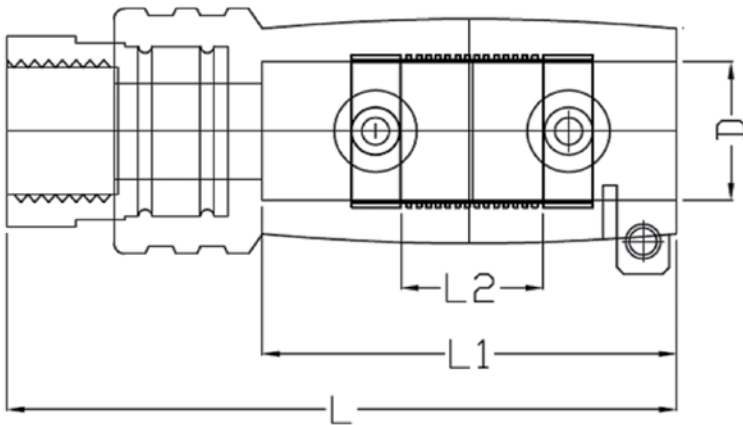
Sizes	H	H2	L	L1	L2	D
180x20 mm	152.00 - 1456.00	48.00 - 53.00	127.00 - 131.00	84.00 - 87.00	102.00 - 105.00	20.00 - 20.50
180x25 mm	152.00 - 1456.00	49.00 - 53.00	126.00 - 130.00	82.00 - 85.00	101.00 - 104.00	25.00 - 25.50
180x32 mm	152.00 - 1456.00	47.00 - 53.00	125.00 - 129.00	82.00 - 85.00	100.00 - 103.00	32.00 - 32.50
200x20 mm	156.00 - 161.00	49.00 - 55.00	128.00 - 132.00	84.00 - 87.00	102.00 - 105.00	20.00 - 20.50
200x25 mm	156.00 - 161.00	48.00 - 53.00	128.00 - 132.00	82.00 - 85.00	101.00 - 104.00	25.00 - 25.50
200x32 mm	156.00 - 161.00	48.00 - 53.00	128.00 - 132.00	82.00 - 85.00	100.00 - 103.00	32.00 - 32.50

Transition Coupler - IC

Standard: BS EN 12201-3:2011 / EN 1555-3 : 2021

Material : PE-100, Black Colour

Pressure Rating: SDR11/PN16



Dimensions (mm)

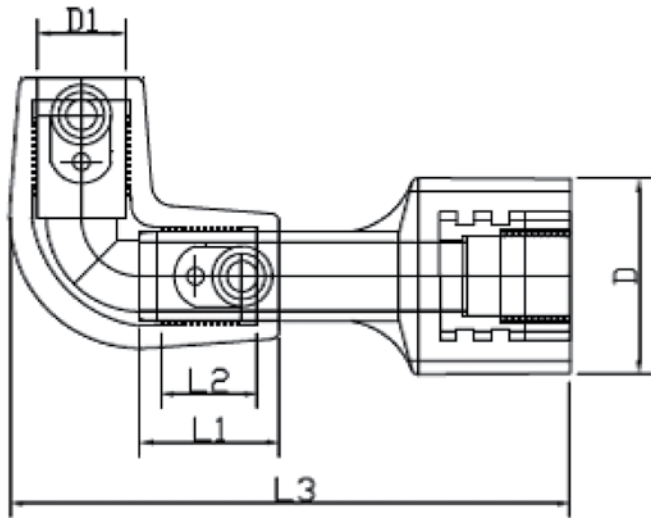
Size	D	L	L1	L2	Thread
20x1/2" - IC	20.00 - 20.50	96.00 – 99.00	61.00 – 63.00	16.00 – 18.00	1/2" NPT/BSP
32x1/2" - IC	32.00 - 32.50	103.00 – 106.00	49.00 – 51.00	18.00- 20.00	1/2" NPT/BSP
32x3/4" - IC	32.00 - 32.50	103.00 – 106.00	49.00 – 51.00	18.00- 20.00	3/4" NPT/BSP
32x1" - IC	32.00 - 32.50	103.00 – 106.00	49.00 – 51.00	18.00- 20.00	1" NPT/BSP

Transition Elbow

Standard: BS EN 12201-3:2011 / EN 1555-3 : 2021

Material : PE-100, Black Colour

Pressure Rating: SDR11/PN16



Dimensions (mm)

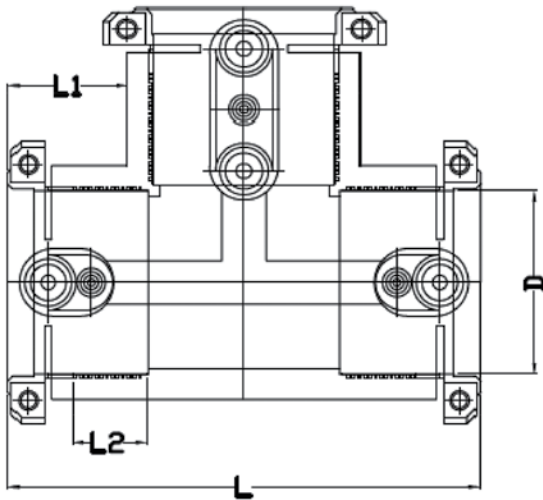
Size	D	D1	L3	L1	L2	Thread
20x1/2"	40.00 - 42.00	20.00 - 20.50	156.00 - 160.00	31.00 - 33.00	15.00 - 17.00	1/2" NPT/BSP
25x3/4"	45.00 - 47.00	25.00 - 25.50	131.00 - 134.00	35.00 - 37.00	11.00 - 13.00	3/4" NPT/BSP
32x1/2"	49.00 - 54.00	32.00 - 32.50	156.00 - 160.00	35.00 - 37.00	14.00 - 16.00	1/2" NPT/BSP
32x3/4"	49.00 - 54.00	32.00 - 32.50	156.00 - 160.00	35.00 - 37.00	14.00 - 16.00	3/4" NPT/BSP
32x1"	49.00 - 54.00	32.00 - 32.50	156.00 - 160.00	35.00 - 37.00	14.00 - 16.00	1" NPT/BSP

All Electro Fusion Equal Tees - IC

Standard: BS EN 12201-3:2011 / EN 1555-3 : 2021

Material : PE-100, Black Colour

Pressure Rating: SDR 17 / PN 10



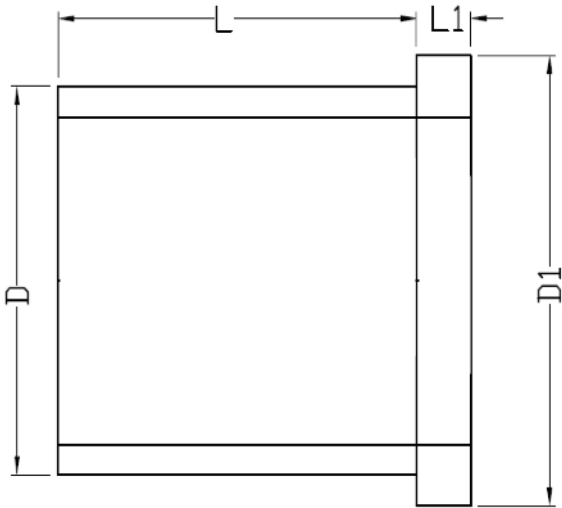
Dimensions (mm)

Size	Diameter D	Overall Length L	Penetration Length L1	Fusion Length L2
50 mm - IC	50.00 - 50.60	130.00 – 133.00	41.00 – 43.00	17.00 -19.00
63 mm - IC	63.00 - 63.90	153.00 – 156.00	46.00 – 49.00	26.00 – 28.00

Stub End

Standard: BS EN 12201-3:2011 / EN 1555-3 : 2021

Material : PE-100, Black Colour



Size	Dimensions (mm)			
	D	D1	L1	L
Pressure Rating: SDR11/PN16				
20 mm	20.00 - 20.30	52.00 - 54.00	6.00 - 8.00	56.00 - 58.00
25 mm	25.00 - 25.30	58.00 - 60.00	7.00 - 9.00	57.00 - 59.00
32 mm	32.00 - 32.30	68.00 - 70.00	9.00 - 11.00	59.00 - 61.00
40 mm	40.00 - 40.40	72.00 - 74.00	10.00 - 12.00	60.00 - 62.00
50 mm	50.00 - 50.50	83.00 - 85.00	11.00 - 13.00	86.00 - 88.00
63 mm	63.00 - 63.60	95.00 - 97.00	13.00 - 15.00	88.00 - 91.00
75 mm	75.00 - 75.70	107.00 - 111.00	15.00 - 18.00	90.00 - 92.00
90 mm	90.00 - 90.90	127.00 - 130.00	16.00 - 18.00	141.00 - 143.00
110 mm	110.00 - 111.00	158.00 - 162.00	17.00 - 19.00	142.00 - 144.00

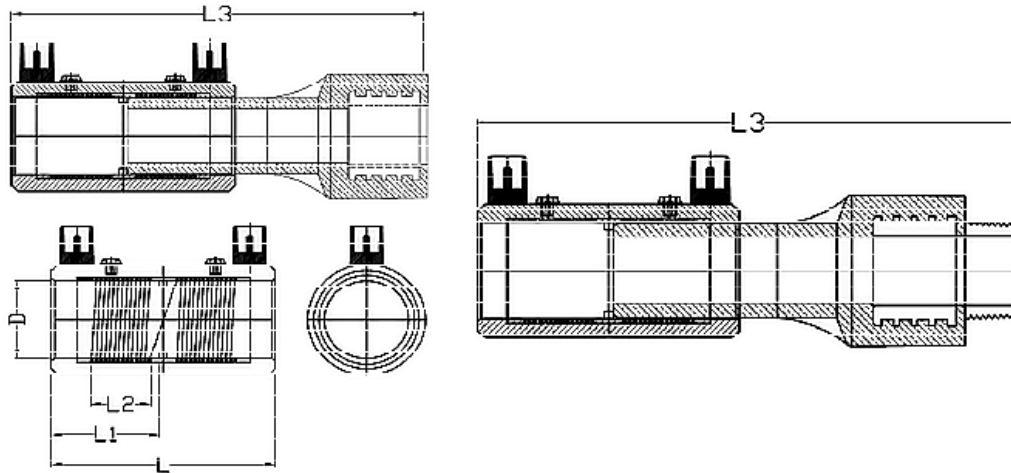
Size	Dimensions (mm)			
	D	DI	L1	L
Pressure Rating: SDR11/PN16				
125 mm	125.00 - 126.10	190.00 - 194.00	19.00 - 21.00	144.00 - 146.00
140 mm	140.00 - 141.30	215.00 - 219.00	21.00 - 23.00	146.00 - 148.00
160 mm	160.00 - 161.50	215.00 - 219.00	23.00 - 24.00	173.00 - 175.00
180 mm	180.00 - 181.70	271.00 - 277.00	25.00 - 26.00	175.00 - 177.00
Pressure Rating: SDR17/PN10				
200 mm	200.00 - 201.80	271.00 - 277.00	25.00 - 27.00	175.00 - 177.00
225 mm	225.00 - 227.10	271.00 - 277.00	27.00 - 29.00	177.00 - 179.00
250 mm	250.00 - 252.30	329.00 - 335.00	27.00 - 29.00	227.00 - 229.00
280 mm	280.00 - 282.60	329.00 - 335.00	29.00 - 31.00	229.00 - 231.00
315 mm	315.00 - 317.90	379.00 - 385.00	31.00 - 33.00	231.00 - 233.00

Transition Coupler Fitting - Kit

Standard: BS EN 12201-3:2011 / EN 1555-3 : 2021

Material : PE-100, Black Colour

Pressure Rating: SDR11 (PN16) , SDR 17 (PN10)



Dimensions (mm)

Size	Nominal Internal Diameter	Overall Length Coupler	Penetration Length	Fusion Length	Overall Length	Thread
	D	L	L1	L2	L3	
20x1/2" Female	20.00 - 20.45	68.00 - 70.00	33.00 - 35.00	17.00 - 19.00	128.00 - 130.00	1/2" BSP/ NPT
25x3/4" Female	25.00 - 25.45	68.00 - 70.00	32.00 - 34.00	13.00 - 15.00	127.00 - 130.00	3/4" BSP/ NPT
32x3/4" Female	32.00 - 32.55	69.00 - 71.00	31.00 - 33.00	14.00 - 16.00	148.00 - 150.00	3/4" BSP/ NPT
32x1" Female	32.00 - 32.55	69.00 - 71.00	31.00 - 33.00	14.00 - 16.00	148.00 - 150.00	1" BSP/ NPT
63x1.1/2" Male	63.00 - 63.90	87.00 - 89.00	40.00 - 42.00	19.00 - 21.00	195.00 - 205.00	1.1/2" BSPT
63x1.1/2" Female	63.00 - 63.90	87.00 - 89.00	40.00 - 42.00	19.00 - 21.00	200.00 - 210.00	1.1/2" BSPT

Dimensions (mm)

Size	Nominal Internal Diameter	Overall Length Coupler	Penetration Length	Fusion Length	Overall Length	Thread
	D	L	L1	L2	L3	
63x2" Female	63.00 - 63.90	87.00 - 89.00	40.00 - 42.00	19.00 - 21.00	200.00 - 210.00	2" BSP
63x2" Male	63.00 - 63.90	87.00 - 89.00	40.00 - 42.00	19.00 - 21.00	161.00 - 170.00	2" BSPT
90x3" Male	90.00 - 90.90	114.00 - 116.0	50.00 - 52.00	25.00 - 27.00	214.00 - 227.00	3" BSPT
90x3" Female	90.00 - 90.90	114.00 - 116.0	50.00 - 52.00	25.00 - 27.00	212.00 - 226.00	3" BSP
110x4" Female	110.00 - 110.90	107.00 - 110.00	52.00 - 55.00	24.00 - 27.00	223.00 - 235.00	4" BSP





www.alaziz.com

Corporate Office:

3, Nateline Industrial Estate, Sakinaka, Andheri (E),
Mumbai 400 072. India.

T: +91 - 22 - 2851 2590, 2851 0273

F: +91 - 22 - 2859 3434

Factory:

Al Aziz Plastics Pvt.Ltd.
Talasari, Maharashtra 401 606

Al Aziz Polymers
Kachigam, Daman-396 215

Pasion International
Tal. Vasai, Dist. Thane – 401 202

E: customerfeedback@alaziz.com

Care: +91 - 22 - 2851 2590